

■ Standard Ku-band **4W BUC** | Block Upconverter

MODEL No. **NJT5307** series

< **Features** >

- \* **High Efficiency Output Power**
  - P1dB: +36 dBm min. over temperature
  - Power Consumption: 37 W max.
  - ACPR: 26 dBc @ Pout = +35 dBm
- \* **Compact Size & Light Weight**
  - Weight: 1.7 kg
- \* **LED Indicator Equipped**
- \* **RoHS Compliance**



< **Line-Up** >

Model No.	RF Frequency	Local Frequency	IF Frequency	Output Power @ P1dB	IF Connector	Power Supply	LED Indicator
NJT5307N	14.00 to 14.50 GHz (Standard Ku-band)	13.05 GHz	950 to 1,450 MHz	4W Linear (+36 dBm min.)	N-type	+24 VDC (+15 to +30 VDC)	Equipped
NJT5307F					F-type		

< **Specifications** >

Item	Specifications
Output Interface	Waveguide, WR75 (with Groove)
Input Interface	N-type, female (50 ohm) [Model No.: NJT5307N] F-type, female (75 ohm) [Model No.: NJT5307F]
Output Power @ 1dB G.C.P.	+36 dBm min. over temperature
Linear Gain	56 dB min.
ACPR	26 dBc @ Pout = +35 dBm
Requirement for External Reference	[Frequency] 10 MHz (sine-wave) [Input Power] -5 to +5 dBm @ Input port [Phase Noise] -125 dBc/Hz max. @ 100 Hz -135 dBc/Hz max. @ 1 kHz -140 dBc/Hz max. @ 10 kHz
L.O. Phase Noise	-60 dBc/Hz max. @ 100 Hz -70 dBc/Hz max. @ 1 kHz -80 dBc/Hz max. @ 10 kHz -90 dBc/Hz max. @ 100 kHz
Receive Band Noise Density @ Pout <= +36 dBm	-156 dBm/Hz max. @10.95 to 12.75 GHz
Input V.S.W.R.	2 : 1 max.
Output V.S.W.R.	2 : 1 max.
Power Requirement	+24 (+15 to +30 VDC)
Power Consumption	37 W max.
Mute	Shut off the HPA in case of L.O. unlocked or no 10 MHz reference signal
LED Indicator	Green: L.O. locked / RED: L.O. unlocked or no 10MHz reference signal
Temperature Range (ambient)	-40 to +55 C (operating) -40 to +75 C (storage)
Dimension & Housing (without Interface Connectors)	175.9 (L) x 143 (W) x 56.5 (H) mm [6.26" (L) x 5.63" (W) x 2.22" (H)]
Weight	1.7 kg [3.7 lbs]

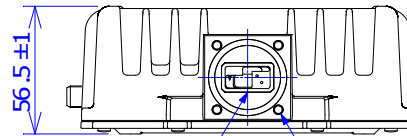
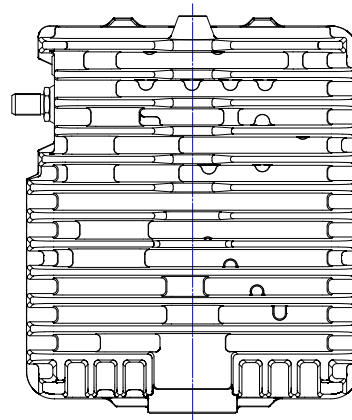
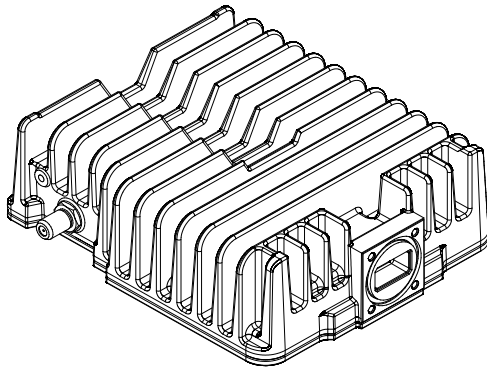
\*Note: The contents of this sheet are subject to change without notice.

■ Standard Ku-band **4W BUC** | Block Upconverter

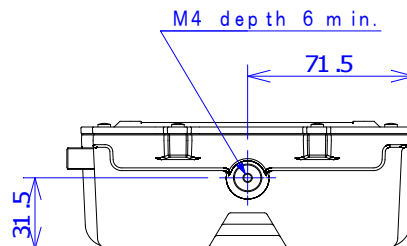
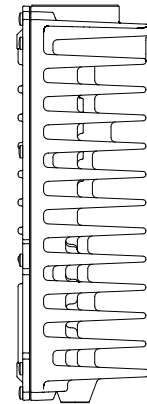
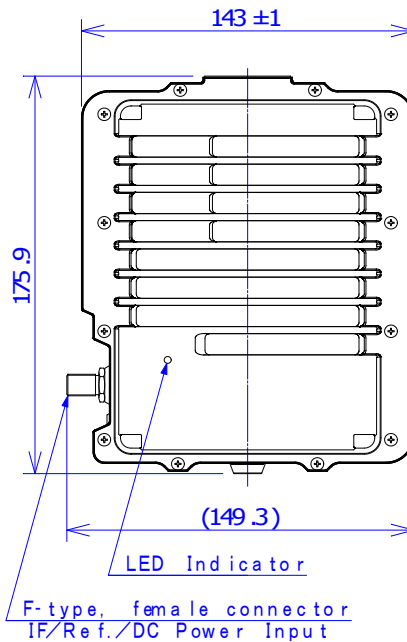
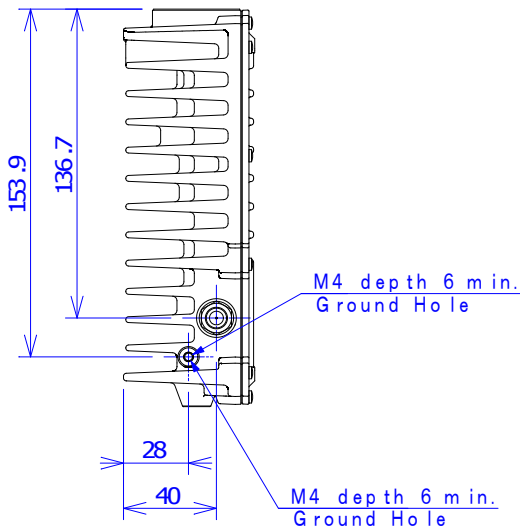
MODEL No. **NJT5307** series

**< Outline Drawing >**

e.g. **NJT5307F**



WR75 (with Grooved) RF Output      4-M4 depth 6 min.



Unit: mm

\*Note: The contents of this sheet are subject to change without notice.